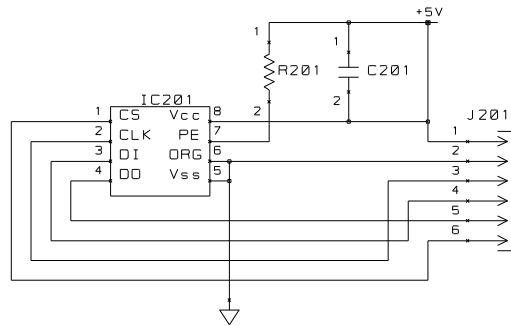


## SPROM Expansion Module

The SPROM expansion module is a very simple device that expands the MicroStar's aircraft memory from 8 to 16. This module can be used to transfer setup information from one transmitter to another and can be used to backup you setup information. There are only a few components on the SPROM module and it can be assembled in a few minutes.

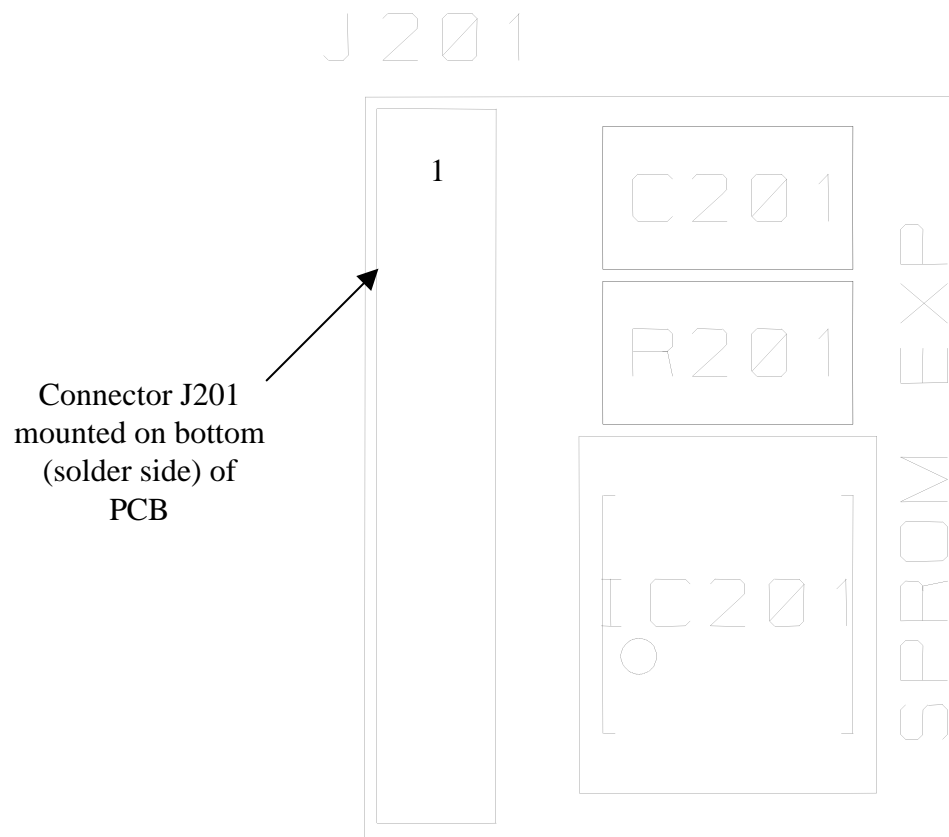
This module plugs into J5 on the Encoder as can be seen later in this document. Make sure the Encoder power is removed before you inset or remove the expansion module.

After you have build the module you will need to format it before you can use the expanded capabilities. To format the module, install it in the Encoder and power up the Encoder. Enter the Cal mode using the Run/Cal switch and select the SPROM option. From the selection available in the SPROM menu select Format SEC. This option will format the secondary memory. The primary memory module is located on the Encoder PC board. The SPROM menu also allows you to copy aircraft setting and entire memory contents.



CONTRACT NO.	GAA Custom Electronics			
APPROVAL DATE	SPROM EXPANSION			
DRAWN	SIZE	FSCM NO.	DWG NO.	REV
CHECKED	B			
ISSUED	SCALE			SHEET

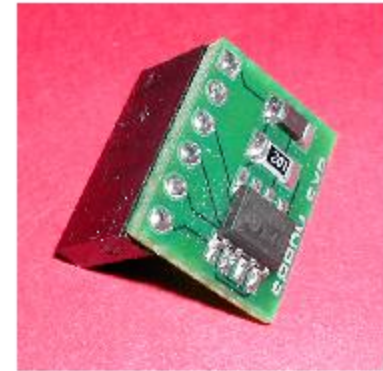
# SPROM EXPANSION Top, Component Side



## SPROM Expansion Parts List

Item	Quantity	ID	Part number	Description	Supplier	Cost each	Total cost	Notes
1	1	C201	140-CC502B104K	0.1 uF capacitor, 1205	Mouser	0.07	0.07	
2	1	R201	263-1K	1K resistor 1206	Mouser	0.019	0.019	
3	1	IC201	511-M93C86-WMN6	93C86 serial eeprom	Mouser	1.66	1.66	
4	1	J201	929974-01-36-ND	Single row female	Digikey	1.23	1.23	
Grand Total							2.979	

**SPROM expansion module**



**Expansion module installed in Encoder**